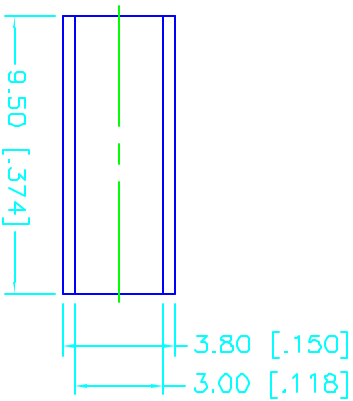
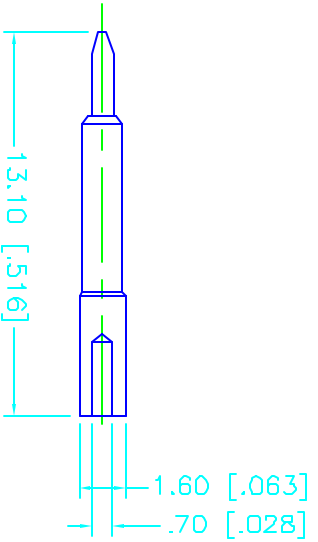
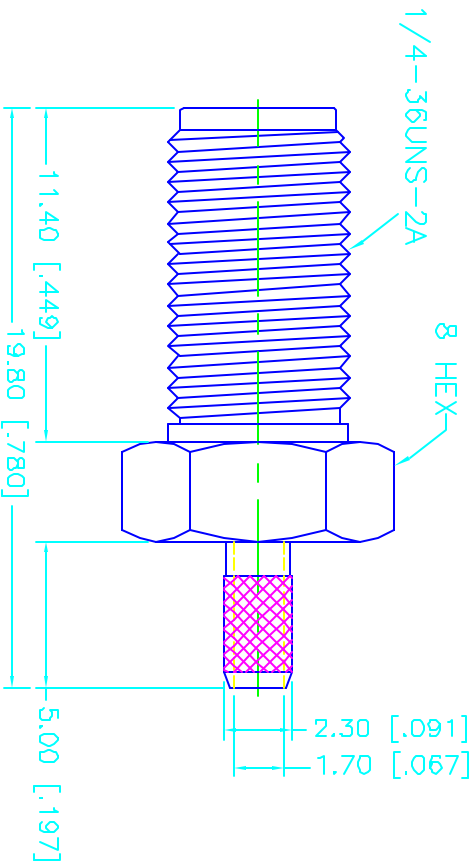
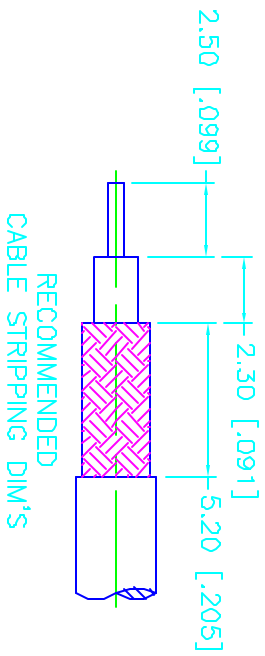


REV.	DATE	DESCRIPTION
NC	01/25/00	INITIAL RELEASE



DESCRIPTION	MATERIAL	FINISH	UNLESS OTHERWISE SPECIFIED DIMENSIONS ARE IN MILLIMETERS DIMENSIONS IN [] ARE IN INCHES FOR CUSTOMER REFERENCE ONLY	APPROVALS	DATE	TITLE SMA CRIMP JACK - REVERSE POLARIZED (FOR RG-174/U, 188A/U, 316/U CABLE)				
1 BODY	BRASS	GOLD		DRAWN	G.R.S.	01/25/00	SIZE	FORM NO.	DWG. NO.	REV.
2 INSULATOR	TEFLON	NATURAL		CHECKED			A	99001	132117RP.DWG	NC
3 CONTACT PIN	BRASS	GOLD		ISSUED						
4 FERRULE	BRASS	GOLD								
5										
6										
7										
8										

UNLESS OTHERWISE SPECIFIED DIMENSIONS ARE IN MILLIMETERS
DIMENSIONS IN [] ARE IN INCHES
FOR CUSTOMER REFERENCE ONLY

UNLESS OTHERWISE SPECIFIED TOLERANCES FOR MILLIMETERS ARE:
0.5-6 ± 0.2
6-30 ± 0.4
30-120 ± 0.6
120-315 ± 1
315-1000 ± 1.6
1000-2000 ± 2.4

DO NOT SCALE DRAWING

Connector Corporation
comnex

SCALE NA PART NO. 132117RP SHEET 1 OF 1